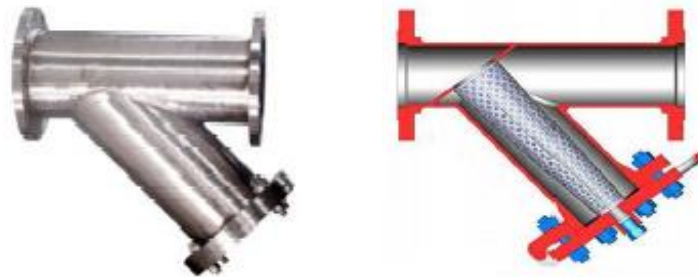


Y Type Strainer

Applications

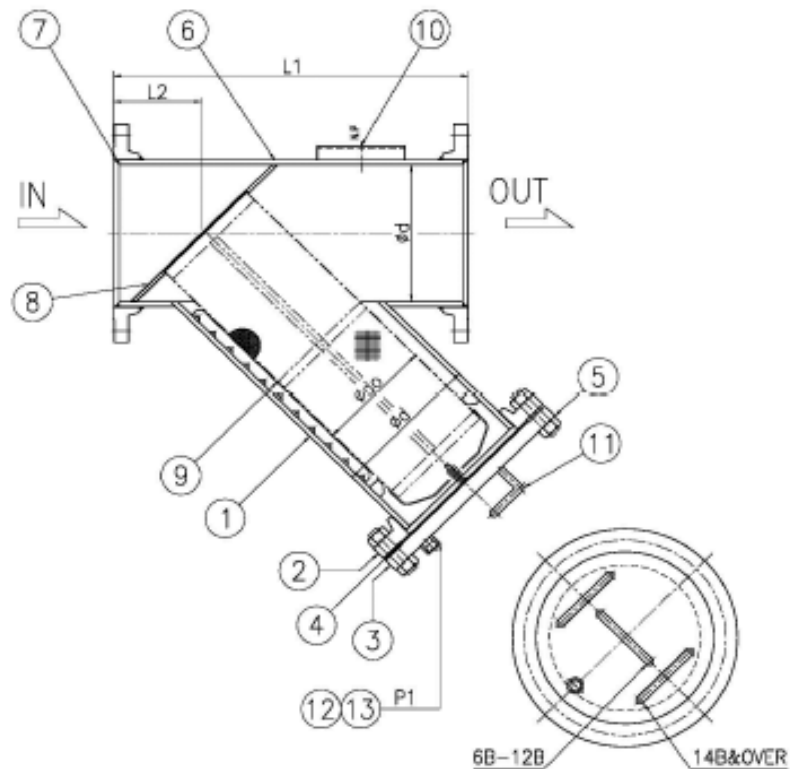
- Process Industries
- Power Generation
- Chemical Industries
- Oil & Gas
- Metals & Mining
- Water Treatment



Y-type strainer has its element in obliquely lower position. This type of strainer is used for small and medium nominal diameter

Standard Construction

NO	NAME
1	Body pipe
2	Body flange
3	Cover flange
4	Gasket
5	Bolt/nut
6	Line pipe
7	Line flange
8	Seat plate
9	Element
10	Name plate
11	Handle
12	Drain boss
13	Drain plug
14	Body



Standard Dimensions in mm

CONN. SIZE		L1		L2	P1 (B)	ELEMENT		WEIGHT	
Ø d		150Lb	300Lb			do	Le		
40A	1-1/2"	270	320	60	3/8"	28	220	9	15
50	2"	290	340	70	3/8"	38	240	13	18
65	2-1/2"	320	370	80	3/8"	50	270	20	28
80	3"	320	420	90	1/2"	60	305	25	37
100	4"	400	500	105	1/2"	80	345	39	60
125	5"	450	550	110	1/2"	100	390	53	84
150	6"	490	600	130	1/2"	120	430	66	107
200	8"	600	700	160	1/2"	170	530	113	174
250	10"	680	850	190	3/4"	220	620	177	274
300	12"	800	950	220	3/4"	250	750	272	404
350	14"	930	1000	270	1"	275	900	370	463
400	16"	1050	1100	295	1"	310	1000	506	714