

# Scrubber

## Applications

- Landfill & Bio-Gas Recovery
- Fuel Gas for Engines & Turbines
- Gas Compression
- Gas Pipe Line Boosting

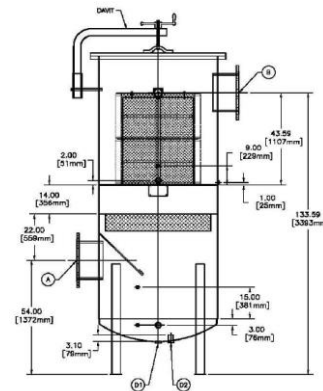


## Features

- Protects Equipment From Liquid and Particulate Entrained in the Gas Steam
- Multi-Stage Separation

## Material

- Carbon Steel
- Stainless Steel
- Duplex



## Design Codes

- ASME Sec VIII Div. 1 & Div. 2
- ASME Sec II Part A, B, C & D
- ASME Sec V
- ASME Sec IX
- ASME B16.5

